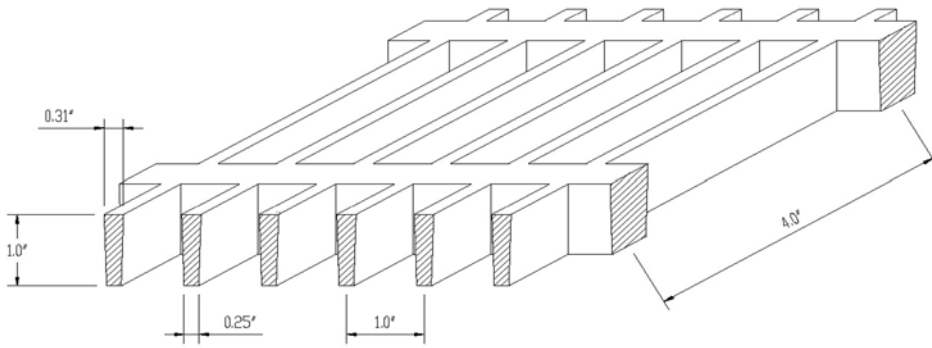


**GatorGrate®**

**RM-1410**



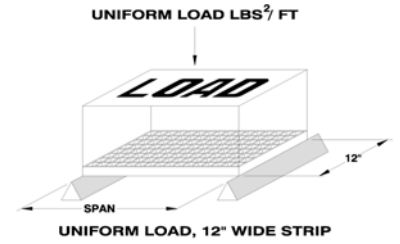
<b>Mesh pattern</b>	1"x4"
<b>Open area</b>	60%
<b>Thickness</b>	1"
<b>Resin systems</b>	PFR, IFR, VFR
<b>Colors</b>	Gray, green, orange, or yellow
<b>Panel sizes</b>	4'x12'
<b>Approx. weight</b>	3.54 psf*

Call your Seasafe representative for information on resins, custom sizes, and colors.

**UNIFORM LOAD CHART**

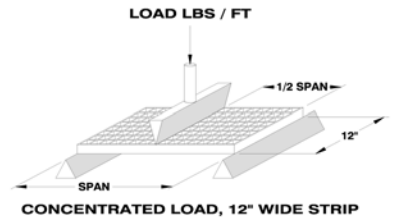
Clear Span	Deflection (inches) at given load (psf*)						Load (psf) at defl (in)	
	50	75	100	150	200	250	0.25	0.375
18	0.012	0.018	0.024	0.036	0.049	0.061	1030	1545
24	0.038	0.057	0.076	0.114	0.152	0.189	330	495
36	0.139	0.208	0.278	0.417			90	135
54	0.417						30	45

35 Max span for 0.25" deflection under 100psf uniform load



**CONCENTRATED LINE LOAD CHART**

Clear Span	Deflection (inches) at given load (plf*)						Load (plf) at defl (in)	
	100	250	500	750	1000	1500	0.25	0.375
18	0.026	0.064	0.128	0.191	0.255	0.383	980	1470
24	0.058	0.145	0.291	0.436			430	645
36	0.167	0.417					150	225
54	0.357						70	105



\*psf: pounds per square foot; plf: pounds per linear foot.

Load and deflection data was derived from lab tests conducted by Seasafe, Inc. Values tabled are for design selection and are approximate. Seasafe recommends selecting gratings based on a deflection of 0.25-inch or less. This deflection may be exceeded at the discretion of the designer. Deflections of 0.25-inch or less will give excellent pedestrian comfort. Deflections of 0.375-inch or less will give satisfactory pedestrian comfort. Loads for short spans in the 0.25 and 0.375 deflection columns have been omitted to allow for shear properties. Deflections greater than 0.5-inch have been omitted.