

ADA Compliant
46% Open Area

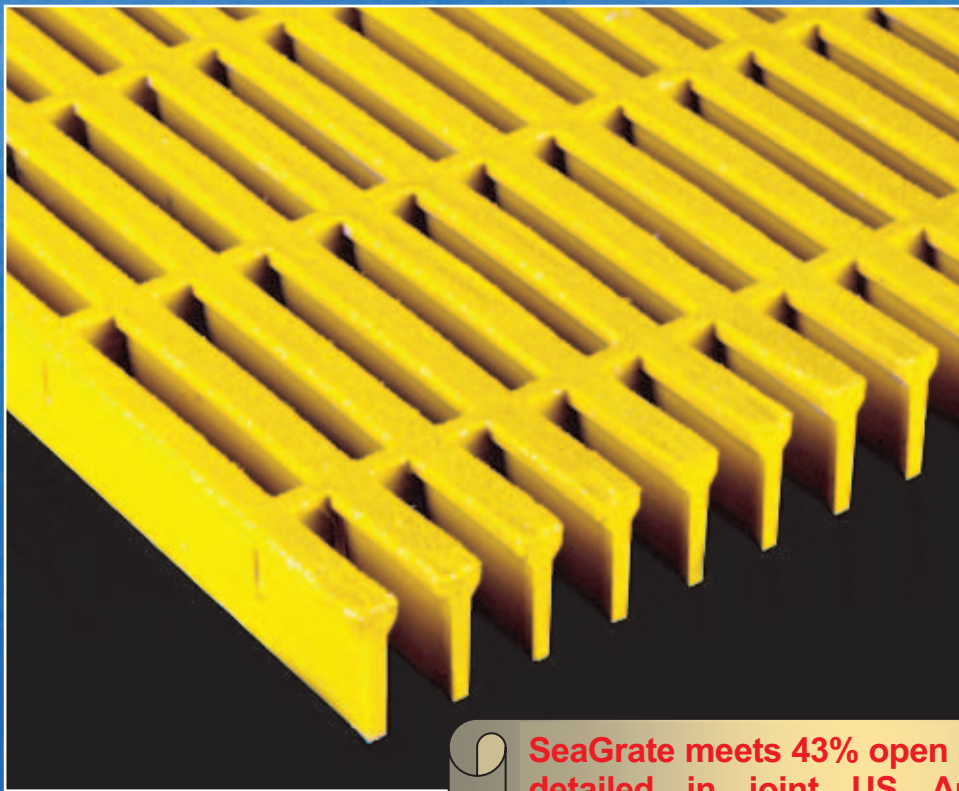


seasafe®

FIBERGLASS GRATING &
STRUCTURAL SYSTEMS

A GIBRALTAR INDUSTRIES COMPANY 

SPECIALTY GRATING SERIES

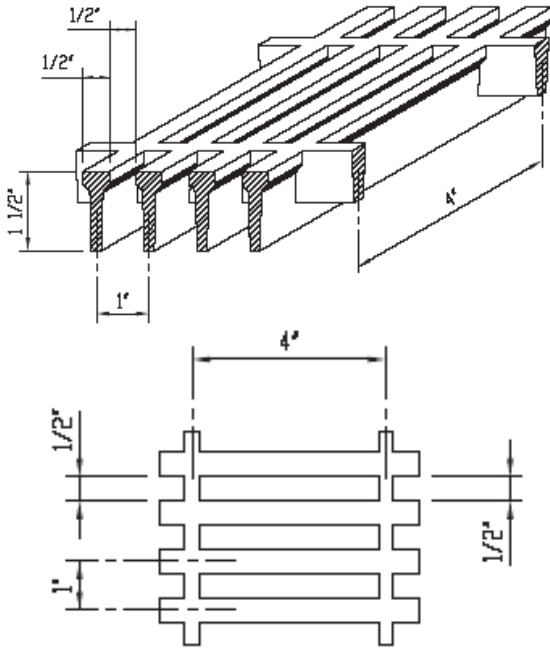


SeaGrate meets 43% open area spacing as detailed in joint US Army Corps of Engineers / National Marine Fisheries Service requirements for Dock Construction Florida Guidelines for docks in critical habitat for Johnson's sea grass and submerged aquatic vegetation, marsh, or mangrove habitat.

SeaGrate

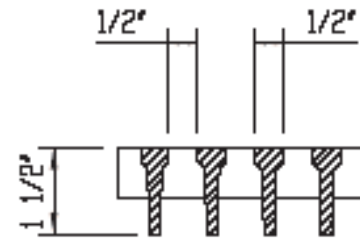
Molded Fiberglass Grating

SeaGrate RM 1415



Open Area: 46%
Thickness: 1-1/2"
Mesh Pattern: 1" x 4"
Resin System: PFR
Colors: Light Gray, Yellow
Weight: 4.3 lbs / sq ft

Call your Seasafe Representative for information on resins, custom sizes, and colors.



Clear Span	Concentrated Load in pounds.									Deflection in inches.	
	100	200	300	500	750	1000	1500	2000	2500	.25" Def	.375" Def
12	0.012	0.023	0.035	0.058	0.086	0.115	0.173	0.230	0.288	2170	3254
18	0.019	0.039	0.058	0.097	0.145	0.194	0.290	0.387	**	1291	1937
24	0.029	0.058	0.087	0.145	0.218	0.290	0.436	0.581	**	861	1291
30	0.047	0.093	0.140	0.234	0.350	0.467	**	**	**	535	803
36	0.090	0.180	0.270	0.449	**	**	**	**	**	278	417
42	0.144	0.288	0.432	**	**	**	**	**	**	174	260
48	0.250	0.500	**	**	**	**	**	**	**	100	150
54	0.274	0.548	**	**	**	**	**	**	**	91	137
60	0.454	**	**	**	**	**	**	**	**	55	83

Clear Span	Uniform Load in Lbs/Ft2.									Deflection in inches.	
	50	75	100	150	200	250	500	1000	1500	.25" Def	.375" Def
12	0.004	0.005	0.007	0.011	0.014	0.018	0.036	0.072	0.108	-	-
18	0.009	0.014	0.018	0.027	0.036	0.045	0.091	0.182	0.272	1377	-
24	0.018	0.027	0.036	0.054	0.073	0.091	0.182	0.363	**	689	-
30	0.037	0.055	0.073	0.110	0.146	0.183	0.365	**	**	342	-
36	0.084	0.126	0.168	0.253	0.337	**	**	**	**	148	-
42	0.157	0.236	0.315	0.472	**	**	**	**	**	79	-
48	0.312	0.468	**	**	**	**	**	**	**	40	-
54	0.385	**	**	**	**	**	**	**	**	32	-

NMFS-PRD Compliant

Seasafe SeaGrate was developed to meet the 43% open area requirement per the joint US Army Corps of Engineers' and National Marine Fisheries Service's guidelines as set out in "Dock Construction Guidelines in Florida for Docks or Other Minor Structures Constructed in or over Submerged Aquatic Vegetation, Marsh, or Mangrove Habitat—US Army Corps of Engineers/National Marine Fisheries Service—August 2001."

In addition, SeaGrate meets guidelines published in "Key for Construction Conditions for Docks or Other Minor Structures Constructed in or Over Johnson's Sea grass (*Halophila johnsonii*) National Marine Fisheries Service/Us Army Corps of Engineers—February 2002."

ADA Compliant

Seasafe SeaGrate is ADA compliant and meets guidelines set out by the US Department of Justice in Code of Federal Regulations 28 CFR Part 36 Section 4.5.4 Gratings, 1994 Revision. "If gratings are located in walking surfaces, they shall have spaces no greater than 1/2" (13mm) wide in one direction."



Seasafe
Toll Free 800-326-8842
 209 Glaser Dr.—Lafayette, LA 70508
 Fax: 337-406-8880
 Homepage: www.seasafe.com