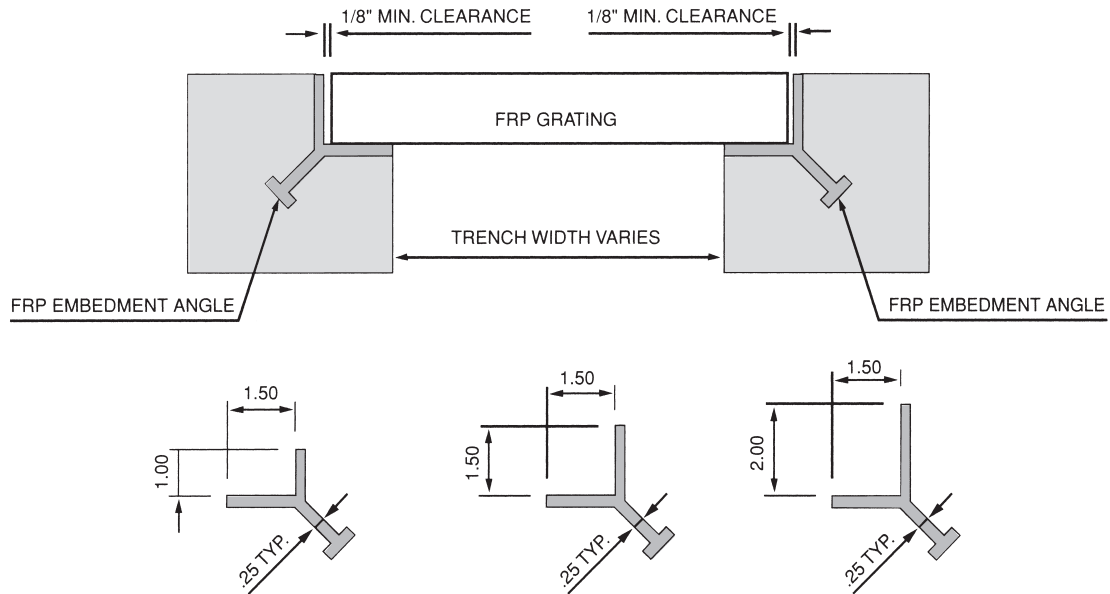




EMBEDMENT ANGLE

Pultruded Fiberglass Reinforced Structural Shapes

APPLICATION



DESCRIPTION

GATORSHAPE Concrete Embedment Angle performance features include:

- * Revolutionary "T" Profile Leg - Offers more anchoring surface than "L" profiles and eliminates anchors.
- * Corrosion Resistant - VFR Resin System composites provide longer service life in hostile environments.
- * Polyester Surface Veils - Improves surface characteristics: Standard incorporation of veils yields more resin rich surfaces which translate into improved composite performance.
- * U.V. Stabilized - Allows for continuous outdoor service.
- * Compatible with all standard depth-grating systems.
- * Electrically non-conductive.

MATERIAL SPECIFICATION

All concrete Embedment Angles have a minimum 50 percent glass content and synthetic surfacing veil on all exposed surfaces. The glass construction used is produced to meet published physical properties when tested in accordance with ASTM-E-84 standards.

Our VFR Resin System has a Class A flame spread and offers optimum corrosion resistance.

PHYSICAL PROPERTIES

LONGITUDINAL DIRECTION

Ultimate Tensile Strength	30,000 psi
Ultimate Compressive Strength	30,000 psi
Ultimate Flexural Strength	30,000 psi
Ultimate Bearing Strength	30,000 psi
Ultimate Shear Strength	4,500 psi

TRANSVERSE DIRECTION

Ultimate Tensile Strength	7,000 psi
Ultimate Compressive Strength	15,000 psi
Ultimate Flexural Strength	10,000 psi

AVAILABILITY

SIZE	WEIGHT	MINIMUM MILL RUN
2.0" x 1.50" x .25"*	1.20 lbs./ft.	1,200 ft.
1.50" x 1.50" x .25"*	1.10 lbs./ft.	1,300 ft.
1.0" x 1.50" x .25"*	1.00 lbs./ft.	1,400 ft.

The above dimensions reflect VFR Resin System product. The color is gray for stocked shapes.

* NOTE: Stocked Shape

TERMS

Net 30 days
FOB: Lafayette, LA or Houston, TX

A true construction market product, our Embedment Angle will become a profitable accessory to your line of grating products.

We know you will find many opportunities to specify and sell our **GATORSHAPE** Concrete Embedment Angle. Contact your regional salesperson for details.



Corporate Headquarters
209 Glaser Drive
Lafayette, Louisiana 70508
Phone (800) 326-8842
Fax (337) 406-8880

Manufacturing Plant
Greenway Industrial Park
209 Glaser Drive
Lafayette, Louisiana 70508