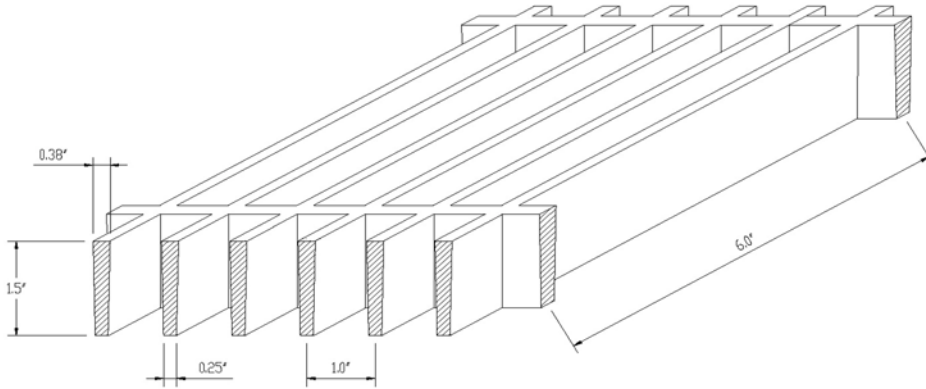


GatorGrate®

RM-1615



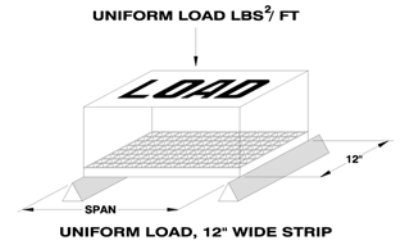
Mesh pattern	1"x6"
Open area	63%
Thickness	1.5"
Resin systems	PFR, IFR, VFR
Colors	Yellow, green, or orange
Panel sizes	4'x12'
Approx. weight	4.5 psf*

Call your Seasafe representative for information on resins, custom sizes, and colors.

UNIFORM LOAD CHART

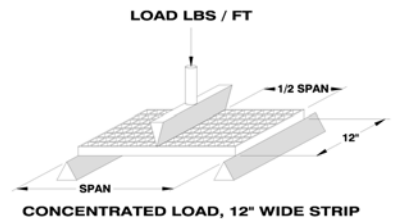
Clear Span	Deflection (inches) at given load (psf*)						Load (psf) at defl (in)	
	50	75	100	150	300	500	0.25	0.375
12	0.003	0.005	0.006	0.009	0.019	0.031	4046	6069
18	0.007	0.010	0.013	0.020	0.039	0.065	1915	2872
24	0.013	0.020	0.027	0.040	0.080	0.133	943	1415
30	0.027	0.040	0.054	0.081	0.161	0.269	465	698
36	0.048	0.072	0.095	0.143	0.286	0.477	262	393
42	0.093	0.139	0.186	0.278			135	202
48	0.142	0.213	0.284	0.426			88	132

42 Max span for 0.25" deflection under 100psf uniform load



CONCENTRATED LINE LOAD CHART

Clear Span	Deflection (inches) at given load (plf*)						Load (plf) at defl (in)	
	100	200	300	500	750	1000	0.25	0.375
12	0.005	0.011	0.016	0.026	0.040	0.053	4731	7097
18	0.008	0.017	0.025	0.041	0.062	0.083	3021	4532
24	0.018	0.036	0.054	0.090	0.135	0.180	1392	2088
30	0.033	0.065	0.098	0.163	0.245	0.326	766	1149
36	0.049	0.098	0.146	0.244	0.366	0.488	512	768
42	0.085	0.170	0.255	0.424			295	442
48	0.112	0.225	0.337				223	334



*psf: pounds per square foot; plf: pounds per linear foot.

Load and deflection data was derived from lab tests conducted by Seasafe, Inc. Values tabled are for design selection and are approximate.

Seasafe recommends selecting gratings based on a deflection of 0.25-inch or less. This deflection may be exceeded at the discretion of the designer. Deflections of 0.25-inch or less will give excellent pedestrian comfort. Deflections of 0.375-inch or less will give satisfactory pedestrian comfort. Loads for short spans in the 0.25 and 0.375 deflection columns have been omitted to allow for shear properties.

Deflections greater than 0.5-inch have been omitted.