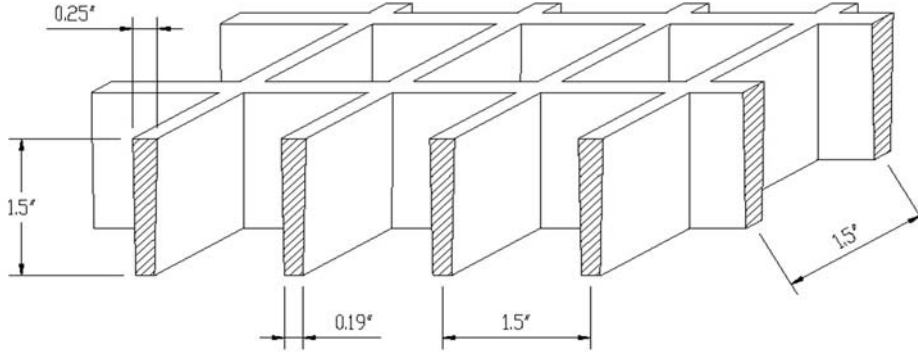


GatorGrate®

GG-1515



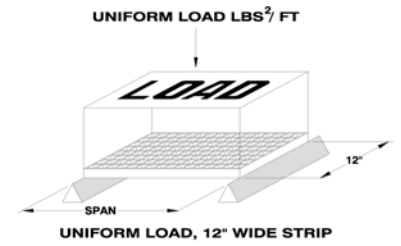
Mesh pattern	1 1/2"x1 1/2"
Open area	70%
Thickness	1.5"
Resin systems	PFR, IFR, VFR
Colors	Gray, green, orange, or yellow
Panel sizes	3'x10', 4'x8', 4'x12', 5'x10'
Approx. weight	4.08 psf*

Call your Seasafe representative for information on resins, custom sizes, and colors.

UNIFORM LOAD CHART

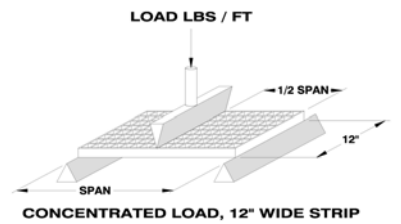
Clear Span	Deflection (inches) at given load (psf*)						Load (psf) at defl (in)	
	50	75	100	150	200	250	0.25	0.375
18	0.006	0.009	0.012	0.017	0.023	0.029	2173	3260
24	0.018	0.027	0.036	0.055	0.073	0.091	687	1030
36	0.091	0.137	0.183	0.274	0.366	0.457	137	205
48	0.288	0.433					43	65
54	0.462						27	41

39 Max span for 0.25" deflection under 100psf uniform load



CONCENTRATED LINE LOAD CHART

Clear Span	Deflection (inches) at given load (plf*)						Load (plf) at defl (in)	
	100	200	300	500	750	1000	0.25	0.375
18	0.012	0.024	0.036	0.061	0.091	0.121	2060	3090
24	0.029	0.058	0.087	0.145	0.218	0.291	860	1290
36	0.097	0.195	0.292	0.487			257	385
48	0.234	0.469					107	160
54	0.441						57	85



*psf: pounds per square foot; plf: pounds per linear foot.

Load and deflection data was derived from lab tests conducted by Seasafe, Inc. Values tabled are for design selection and are approximate. Seasafe recommends selecting gratings based on a deflection of 0.25-inch or less. This deflection may be exceeded at the discretion of the designer. Deflections of 0.25-inch or less will give excellent pedestrian comfort. Deflections of 0.375-inch or less will give satisfactory pedestrian comfort. Loads for short spans in the 0.25 and 0.375 deflection columns have been omitted to allow for shear properties. Deflections greater than 0.5-inch have been omitted.