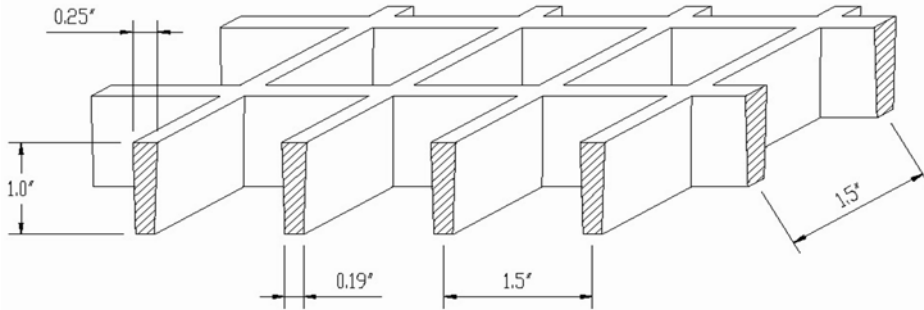


GatorGrate®

GG-1510



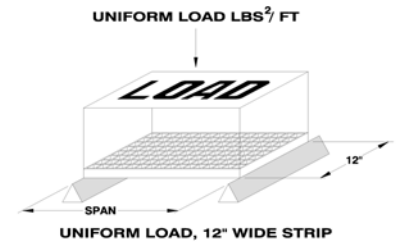
- Mesh pattern** 1 1/2"x1 1/2"
- Open area** 70%
- Thickness** 1"
- Resin systems** PFR, IFR, VFR
- Colors** Gray, green, orange, or yellow
- Panel sizes** 3'x10', 4'x12'
- Approx. weight** 2.98 psf*

Call your Seasafe representative for information on resins, custom sizes, and colors.

UNIFORM LOAD CHART

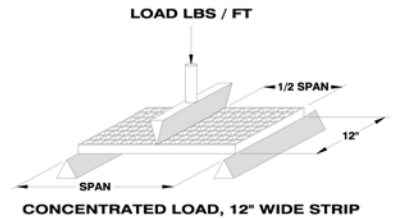
Clear Span	Deflection (inches) at given load (psf*)						Load (psf) at defl (in)	
	50	75	100	150	200	250	0.25	0.375
12	0.004	0.005	0.007	0.011	0.014	0.018		
18	0.018	0.027	0.036	0.054	0.072	0.090	695	1043
24	0.057	0.085	0.114	0.170	0.227	0.284	220	330
36	0.278	0.417					45	68

29 Max span for 0.25" deflection under 100psf uniform load



CONCENTRATED LINE LOAD CHART

Clear Span	Deflection (inches) at given load (plf*)						Load (plf) at defl (in)	
	100	250	500	750	1000	1500	0.25	0.375
12	0.012	0.029	0.058	0.087	0.116	0.173		
18	0.039	0.098	0.195	0.293	0.391		640	960
24	0.091	0.229	0.457				273	410
36	0.313						80	120



*psf: pounds per square foot; plf: pounds per linear foot.

Load and deflection data was derived from lab tests conducted by Seasafe, Inc. Values tabled are for design selection and are approximate. Seasafe recommends selecting gratings based on a deflection of 0.25-inch or less. This deflection may be exceeded at the discretion of the designer. Deflections of 0.25-inch or less will give excellent pedestrian comfort. Deflections of 0.375-inch or less will give satisfactory pedestrian comfort. Loads for short spans in the 0.25 and 0.375 deflection columns have been omitted to allow for shear properties. Deflections greater than 0.5-inch have been omitted.